

## **Tamb-ext**

### **Ambient Temperature Sensor**

Sensor type:	Pt100 1/3 class B
Temperature Range:	-35..+90°C
Sensor capture:	INOX steel tube, diameter 6 mm, length 25 mm
Case Material:	Polyamid
Weight:	ca. 85 g
Protection:	IP65
Connection:	2 pole (two wire), screw terminal max. 1,5mm <sup>2</sup> Clamp 1 – Pt100 Clamp 2 – Pt100

#### **Security Advice**

The installation and assembly of electrical equipment may only be performed by a skilled electrician.

The sensor must not be used in any relation with equipment that supports, directly or indirectly, human health or life or with applications that can result in danger for people, animals or real value.

#### **Electrical Connection**

For keeping the accuracy of the sensor a 4 wire measurement is recommended.

If the temperature sensor is connected in 2 wire conductor versions, the wire resistance of the supply wire has to be considered. Probably, the same has to be compensated by the following electronics.

Due to the selfheating, the wire current affects the accuracy of the measurement. Thus, the same should not exceed 1mA.

#### **Mounting Advices**

In case of outdoor installation avoid direct rain and sun contact.

Probably uses unrespectively rain protection.



**INGENIEURBÜRO**  
Mencke & Tegtmeier GmbH

Schwarzer Weg 43A  
D-31789 Hameln  
Tel: (0 51 51) 40 36 99 - 0  
Fax: (0 51 51) 40 36 99 - 19  
email: info@ib-mut.de  
<http://www.ib-mut.de>

Bankverbindung:  
Stadtparkasse Hameln  
(BLZ 254 500 01)  
Kto.-Nr. 5 22 33

UID-Nr. DE258133277  
Zollnr. DE6018572

Finanzamt Hameln  
22/200/62745

Amtsgericht Hannover  
HRB 202636

Geschäftsführung:  
Dipl.-Ing. Detlef Mencke  
Dipl.-Ing. Dirk Tegtmeier

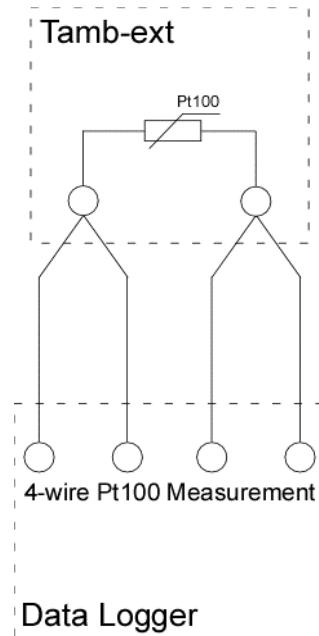
# Tamb-ext

## Ambient Temperature Sensor

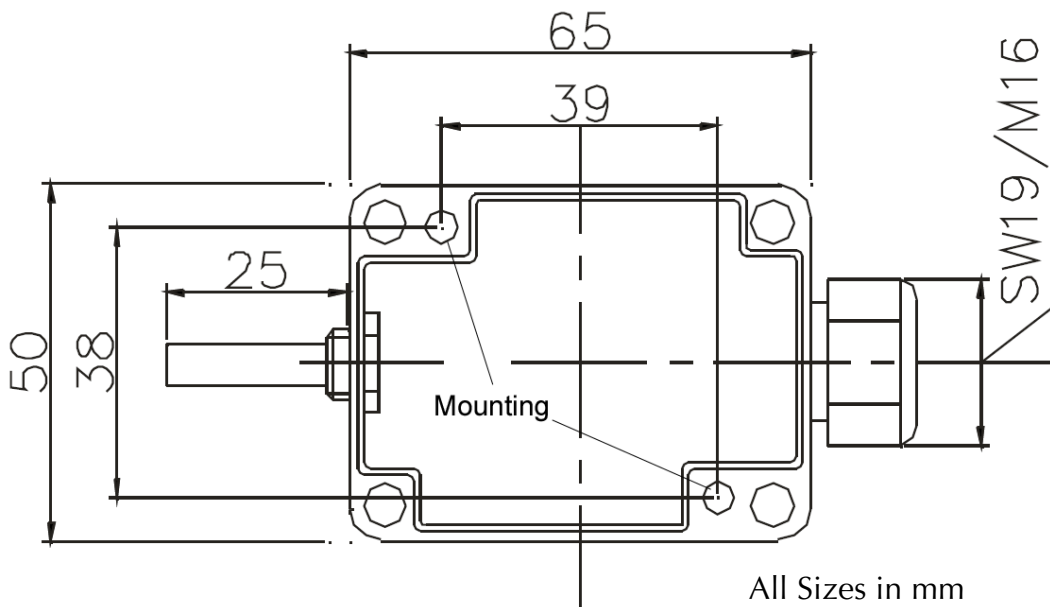
View:



Electrical Connection:



Drawing:



Schwarzer Weg 43A  
D-31789 Hameln  
Tel: (0 51 51) 40 36 99 - 0  
Fax: (0 51 51) 40 36 99 - 19  
email: info@ib-mut.de  
<http://www.ib-mut.de>

Bankverbindung:  
Stadtsparkasse Hameln  
(BLZ 254 500 01)  
Kto.-Nr. 5 22 33

UID-Nr. DE258133277  
Zollnr. DE6018572

Finanzamt Hameln  
22/200/62745

Amtsgericht Hannover  
HRB 202636

Geschäftsführung:  
Dipl.-Ing. Detlef Mencke  
Dipl.-Ing. Dirk Tegtmeier