

Tamb10-ISO

Ambient Temperature Sensor



Technical Data

Measurement Signal:	0...10 V @ -40...+90°C	
Load Resistance:	Min. 5000 Ohm	
Operating Range:	-40...+80°C	
Sensor Element:	Pt1000 class A according EN 60751	
Measurement Error:	1% of range for -30...60°C 2% of range for -40...80°C	
Supply Voltage:	19...30 Vdc	
Supply Current:	typ. 13 mA	
Galvanic Isolation:	1000 V between signal and supply	
Sensor Housing:	Inox steel tube, diameter 6 mm, length 23 mm	
Case Size:	64 mm x 58 mm x 34 mm	
Case Material:	Aluminium powder coated	
Protection:	IP65	
Weight:	approx. 270 g	
Connection:	3 m cable 4 x 0.14 qmm, uv and weather resistant	
Wire Assignment:	Supply Voltage:	Red
	Supply GND1:	Black
	Signal GND2:	Brown
	Signal Temperature:	Orange
Cable Shield:	Black (large diameter)	
Customs Number:	90 25 19 20	

Security Advice

The installation and assembly of electrical equipment may only be performed by a skilled electrician.

The sensor must not be used in any relation with equipment that supports, directly or indirectly, human health or life or with applications that can result in danger for people, animals or real value.

Electrical Connection

The sensor is constructed for the operation of protective low voltage (SELV). For the electrical connection, the technical data of the corresponding device are valid.

The cable shield must be connected to PE socket on installation side.

CAUTION: Connecting the power supply to the signal lines will damage the device.

Mounting Advices

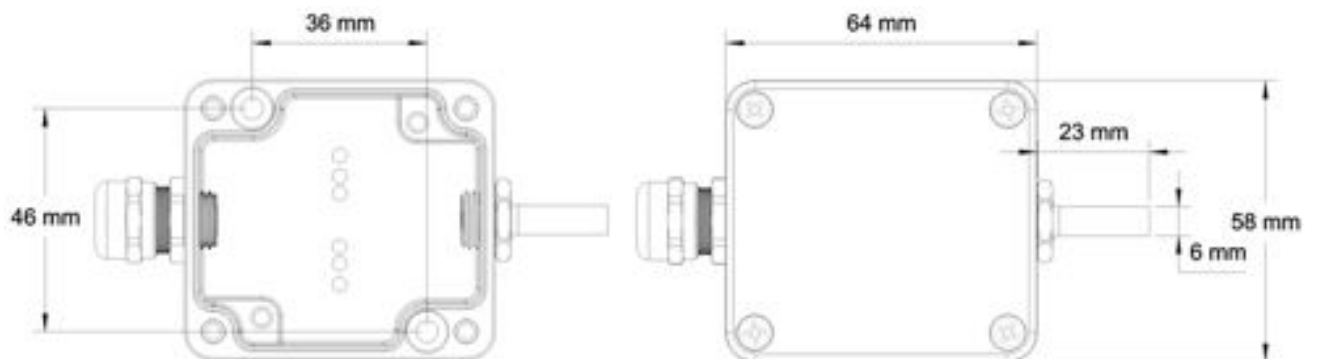
In case of outdoor installation avoid direct rain and sun contact. Probably use sun or rain protection respectively.

Tamb10-ISO Ambient Temperature Sensor

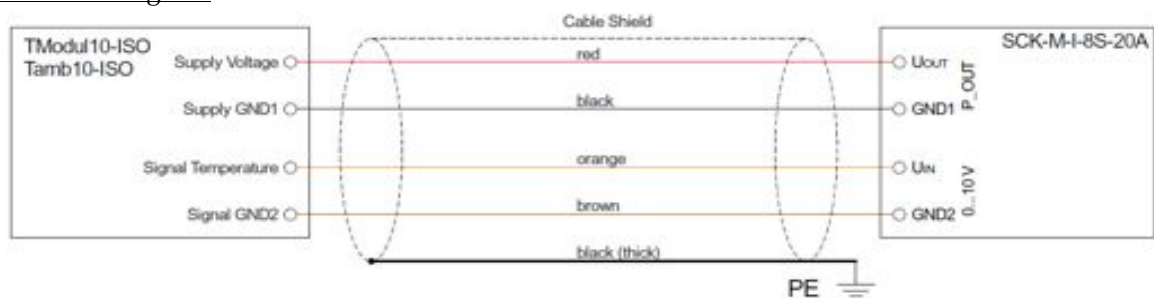
View



Drawing



Connection Diagram



Connection to SolarCheck of Phoenix Contact:

