

Tamb420

Ambient Temperature Sensor



Technical Data

Measurement Signal:	4...20 mA
Measurement Range:	-50...+50°C
Sensor Element:	Pt1000
Measurement Accuracy:	1% of range
Supply Voltage:	15...24 Vdc
Max. Load:	500 Ω at 24 V supply 200 Ω at 15 V supply
Supply Current:	max. 20 mA
Sensor Capture:	INOX steel tube, diameter 6 mm, length 25 mm
Case Material:	Polyamide
Temp. Range of Case:	-35...70°C
Weight:	ca. 110 g
Protection:	IP65
Connection Clamps:	2 pole, screw terminal max. 1,5mm ² Clamp UB – Supply Voltage Clamp OUT – Signal 4...20 mA

Security Advice

The installation and assembly of electrical equipment may only be performed by a skilled electrician.

The sensor must not be used in any relation with equipment that supports, directly or indirectly, human health or life or with applications that can result in danger for people, animals or real value.

Electrical Connection

The sensor is constructed for the operation of protective low voltage (SELV). For the electrical connection, the technical data of the corresponding device are valid.

Mounting Advices

In case of outdoor installation avoid direct rain and sun contact.

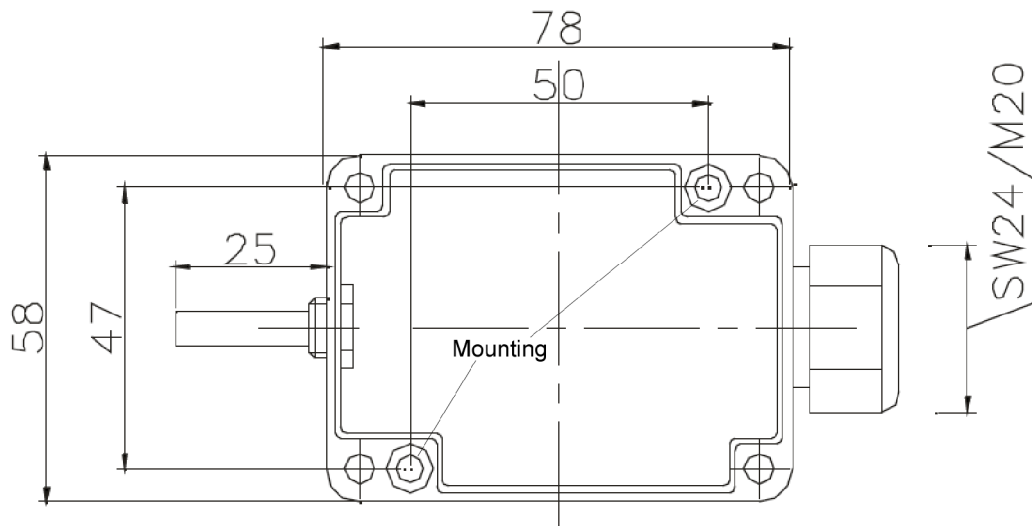
Probably use sun respectively rain protection.

Tamb420 Ambient Temperature Sensor

View



Drawing



All Sizes in mm

Electrical Connection

