

## **Tmodul10**

### **Module Temperature Sensor**

Measurement Signal:	0...10 V (min. 5000 Ohm working resistance)
Measurement Range:	-10...+120°C
Sensor Element:	Pt1000
Measurement Accuracy:	1% of range
Supply Voltage:	15...24 Vdc or 24 Vac ( $\pm 10\%$ )
Power Consumption:	typ. 0.42W / 0.84VA
Sensor Capture:	Aluminium block, 35 mm x 10 mm x 6 mm, self adhesive
Cable Length:	2 m
Case Material:	Polyamide
Temp. Range of Case:	-35...70°C
Weight:	ca. 115 g
Protection:	IP65
Connection Clamps:	3 pole, screw terminal max. 1,5mm <sup>2</sup> Clamp UB – Supply Voltage Clamp 0V – GND Clamp OUT – Signal 0...10 V

#### **Security Advice**

The installation and assembly of electrical equipment may only be performed by a skilled electrician.

The sensor must not be used in any relation with equipment that supports, directly or indirectly, human health or life or with applications that can result in danger for people, animals or real value.

#### **Electrical Connection**

The sensor is constructed for the operation of protective low voltage (SELV). For the electrical connection, the technical data of the corresponding device are valid.

#### **Mounting Advices**

In case of outdoor installation avoid direct rain and sun contact.

Probably uses unrespectively rain protection.

Mounting is made directly by gluing the sensor to the measuring surface by means of double-sided tape. The surface must be dry, clean and fat-free.

Additional fixing with silicone or Sikaflex is recommended for longterm adhering and cable anchorage.



**INGENIEURBÜRO**  
Mencke & Tegtmeier GmbH

Meßgeräte für die Solartechnik

**INGENIEURBÜRO**  
Mencke & Tegtmeier GmbH

Schwarzer Weg 43A  
D-31789 Hameln  
Tel: (0 51 51) 40 36 99 - 0  
Fax: (0 51 51) 40 36 99 - 19  
email: info@ib-mut.de  
<http://www.ib-mut.de>

Bankverbindung:  
Stadtsparkasse Hameln  
(BLZ 254 500 01)  
Kto.-Nr. 5 22 33

UID-Nr. DE258133277

Zollnr. DE6018572

Finanzamt Hameln  
22/200/62745

Amtsgericht Hannover  
HRB 202636

Geschäftsführung:  
Dipl.-Ing. Detlef Mencke  
Dipl.-Ing. Dirk Tegtmeier

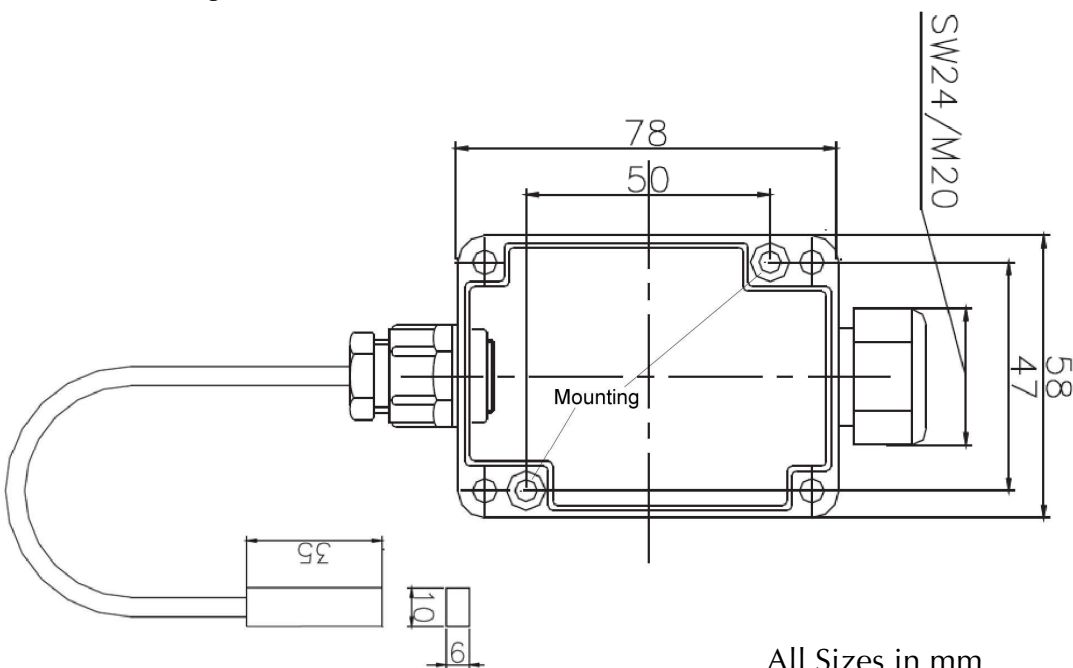
# Tmodul10

## Module Temperature Sensor

View:



Drawing:



All Sizes in mm



**INGENIEURBÜRO**  
Mencke & Tegtmeier GmbH

Meßgeräte für die Solartechnik

**INGENIEURBÜRO**  
Mencke & Tegtmeier GmbH

Schwarzer Weg 43A  
D-31789 Hameln  
Tel: (0 51 51) 40 36 99 - 0  
Fax: (0 51 51) 40 36 99 - 19  
email: info@ib-mut.de  
<http://www.ib-mut.de>

Bankverbindung:  
Sparkasse Hameln  
(BLZ 254 500 01)  
Kto.-Nr. 5 22 33

UID-Nr. DE258133277  
Zollnr. DE6018572

Finanzamt Hameln  
22/200/62745

Amtsgericht Hannover  
HRB 202636

Geschäftsführung:  
Dipl.-Ing. Detlef Mencke  
Dipl.-Ing. Dirk Tegtmeier