

# Tmodul420

## Module Temperature Sensor



### Technical Data

Measurement Signal:	4...20 mA
Measurement Range:	-10...+120°C
Sensor Element:	Pt1000
Measurement Accuracy:	1% of range
Supply Voltage:	15...24 Vdc
Max. Load:	500 Ω at 24 V supply 200 Ω at 15 V supply
Supply Current:	max. 20 mA
Sensor Capture:	Aluminium block, 35 mm x 10 mm x 6 mm, self adhesive
Cable Length:	2 m
Case Material:	Polyamide
Temp. Range of Case:	-35...70°C
Weight:	approx. 115 g
Protection:	IP65
Connection Clamps:	2 pole, screw terminal max. 1,5mm <sup>2</sup> Clamp UB – Supply Voltage Clamp OUT – Signal 4...20 mA

### Security Advice

The installation and assembly of electrical equipment may only be performed by a skilled electrician.

The sensor must not be used in any relation with equipment that supports, directly or indirectly, human health or life or with applications that can result in danger for people, animals or real value.

### Electrical Connection

The sensor is constructed for the operation of protective low voltage (SELV). For the electrical connection, the technical data of the corresponding device are valid.

### Mounting Advices

In case of outdoor installation avoid direct rain and sun contact. Probably use sun respectively rain protection.

Mounting is made directly by gluing the sensor to the measuring surface by means of double-sided tape. The surface must be dry, clean and fat-free.

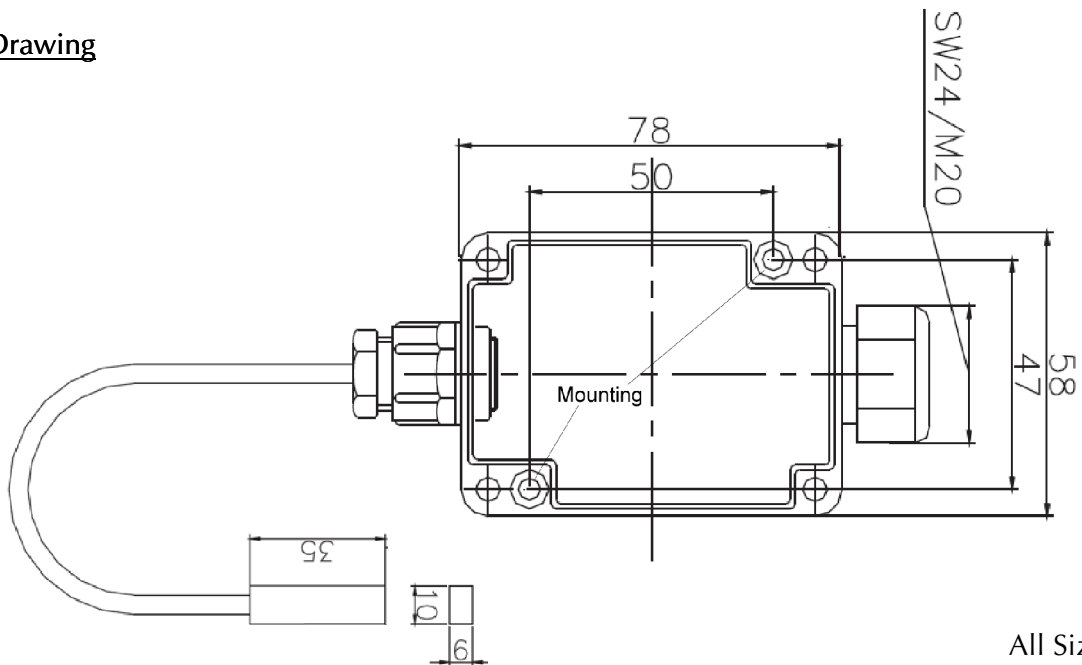
Additional fixing with silicone or Sikaflex is recommended for long-term adhering and cable anchorage.

## Tmodul420 Module Temperature Sensor

### View



### Drawing



All Sizes in mm

### Electrical Connection

