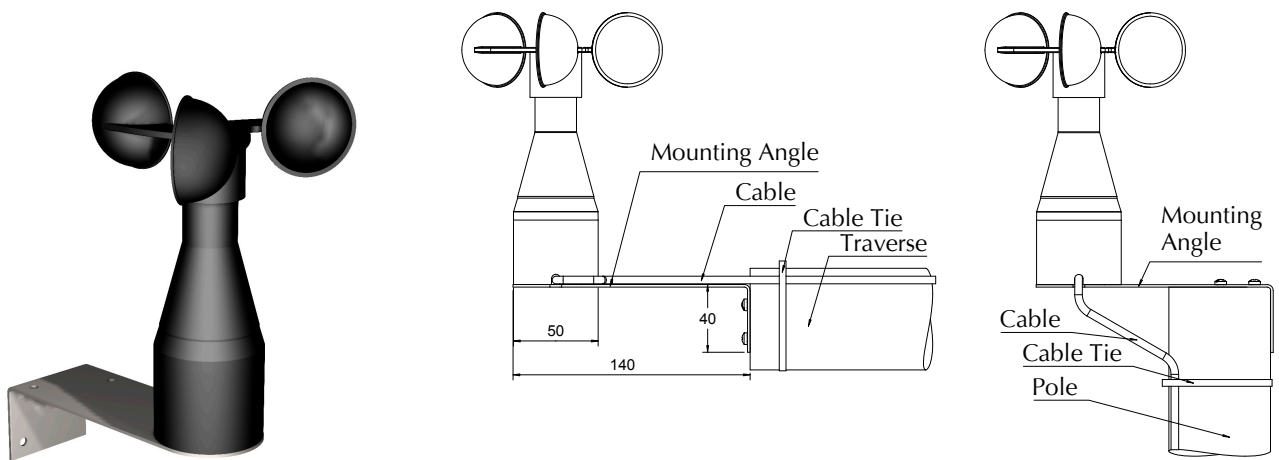


## Vwind-Si

### Wind speed Sensor for Si-RS485TC-2T-v



Sensor type:	Cup star anemometer
Signal:	Reed relais, 2.5 Hz/(m/s)
Range:	0.9...40 m/s (60 m/s for short time)
Accuracy:	0.5 m/s or 5% of reading
Cable:	5 m LiYC11Y, 4 x AWG 26, black, weather and uv-resistant
Connector:	Binder connector series 712
Pin assignment:	Pin 1 – Reed relais Pin 2 – Reed relais



### Mounting Advices

Storing, mounting and operation under weather conditions is only allowed in vertical position, as otherwise water can get into the sensor. So an installation with roof inclination is not allowed.

No installation in wind protected areas or in wind shadow of any construction.

On flat roofs a installation in the middle of the roof is preferable.

The wind sensor must be integrated into the lightning protection system.

### Maintenance

Heavy air pollution can clog up the slit between the rotating and the stationary part of the wind sensor. This slit must be kept clean.

After longer use abrasion might occur at the bearings and the reed relais. This can cause a higher starting torque or missing output impuls. Therefore we recommend a yearly maintenance and checking of the rotating ability of the cup star.

### Security Advice

The installation and assembly of electrical equipment may only be performed by a skilled electrician. The sensor must not be used in any relation with equipment that supports, directly or indirectly, human health or life or with applications that can result in danger for people, animals or real value.